

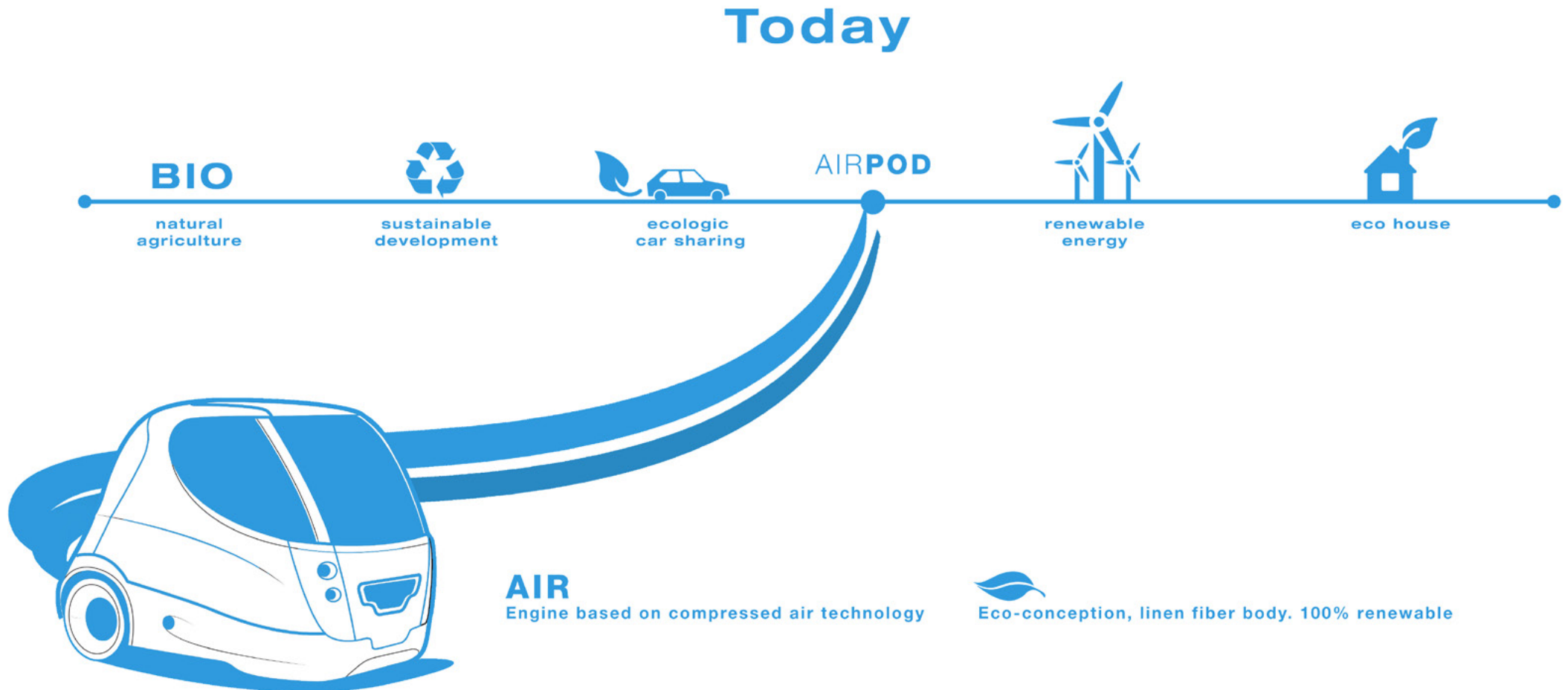
AIRPOD 2.0
RANGE
compressed air technology



Motor Development International

Sustainable Evolution

The awareness about ecology is global. Many business sectors are invested in environmental protection which implies changes in our lifestyle & the way we spend our money. MDI takes action in both energy & transportation fields among other environmental agents.



Observation

From motorisation to its external parts, the AirPod is the embodiment of sustainable development: a life cycle designed with ecology in mind from manufacturing right through to recycling.

AIRPOD TECHNOLOGY

Efficient technology & eco-designed materials



2 seats



280 kg



80 km/h or
45 km/h unlicensed



500 L

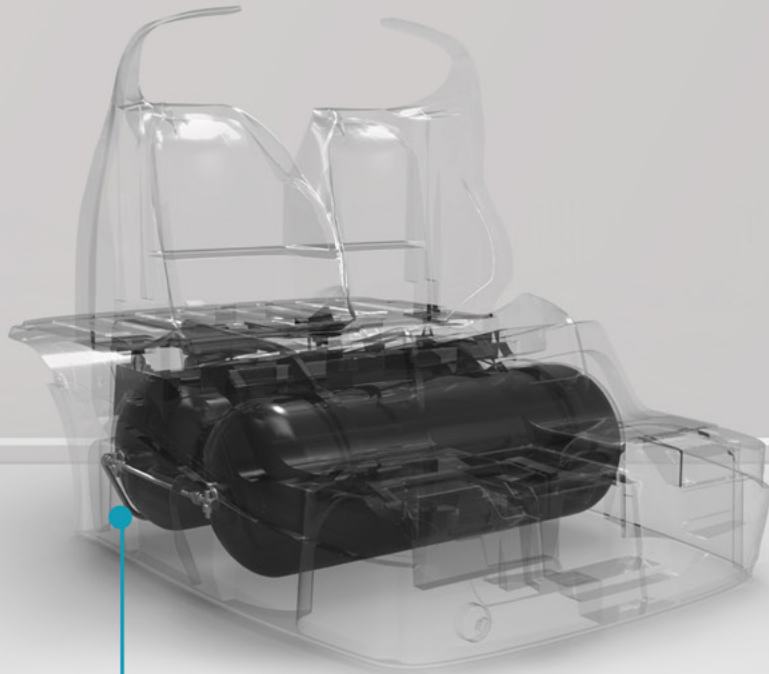
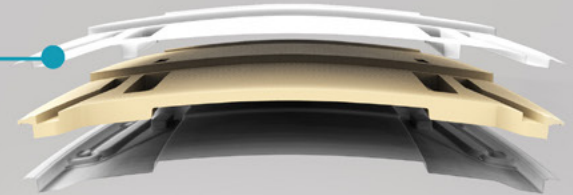


120 - 150 km
450 km dual energy



ECO-DESIGN

LINEN FIBER BODY CONCEPTION



COMPRESSED AIR

COMPRESSED AIR TANKS



INTEGRATION OF FUNCTIONS

LIGHT & RESISTANT UNIBODY CHASSIS



Exterior Design

Characteristics

 2 seats	 280 kg	 80 km/h or 45 km/h unlicensed	 500 l	 120-150 km 450 km dual energy
--	---	---	--	---

AIRPOD 2.0
STANDARD

compressed air loading

frontal opening



Exterior Design

Characteristics

 2 seats	 280 kg	 80 km/h or 45 km/h unlicensed	 500 l	 120-150 km 450 km dual energy
--	---	---	--	---

AIRPOD 2.0 STANDARD

500L storage trunk

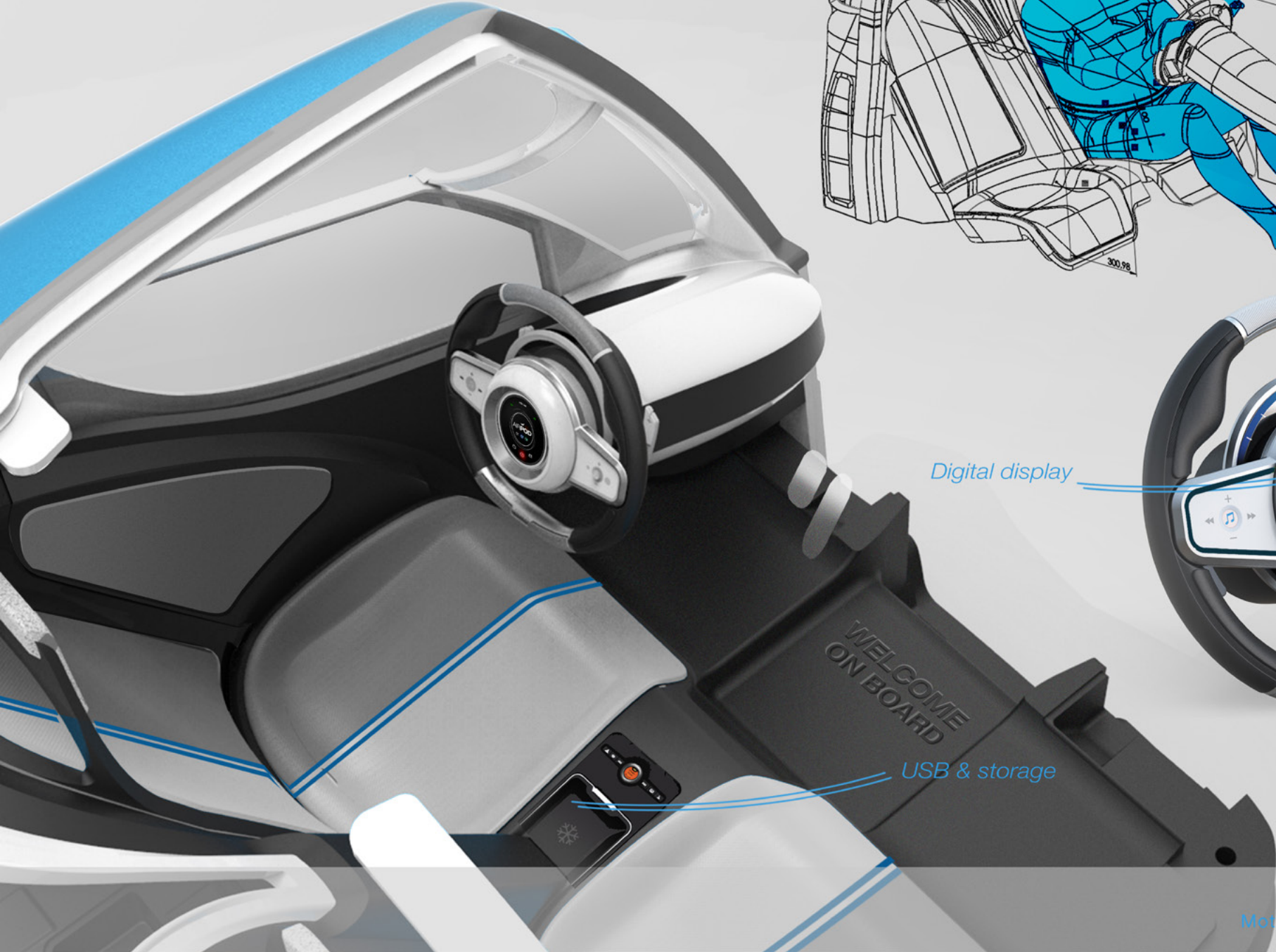
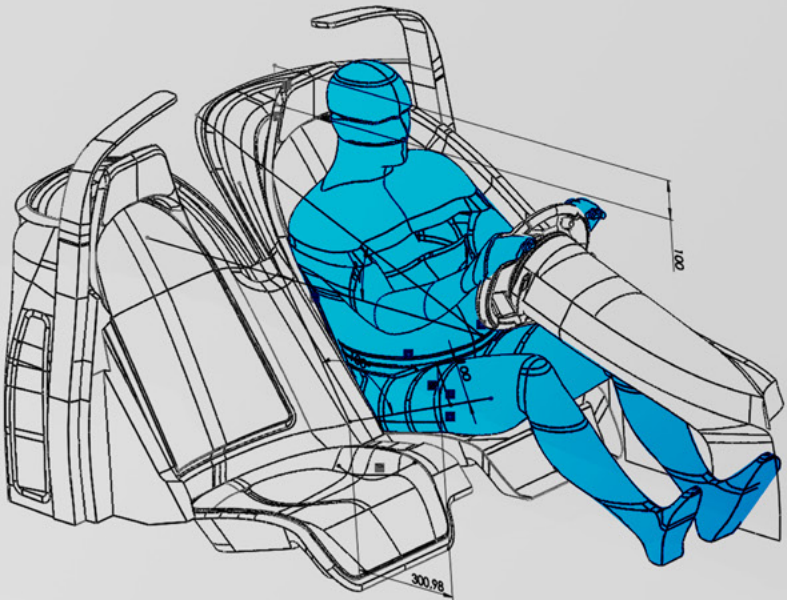
compressed air loading



Interior Ergonomy



Interior Ergonomy

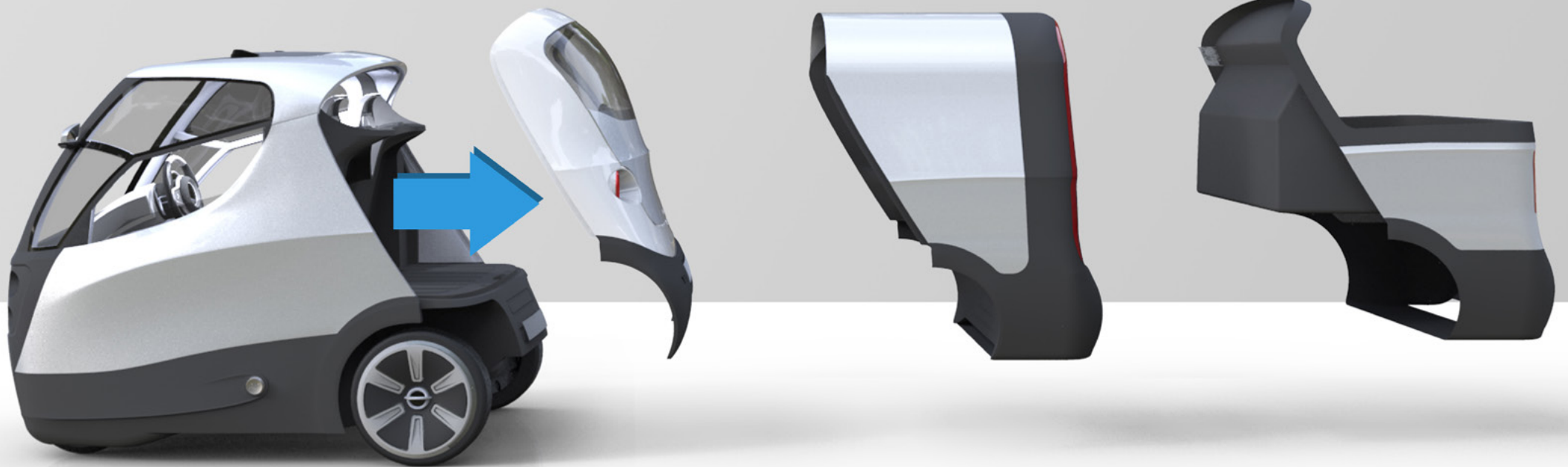


Digital display



Compact steering wheel

USB & storage



AirPod



AirPod Cargo



AirPod Pick-Up





AIRPOD 2.0
CARGO

Integration **Render**



AIRPOD 2.0

PICK-UP

Integration **Render**



AirPod 2.0 Range





Motor Development International

compressed air technology